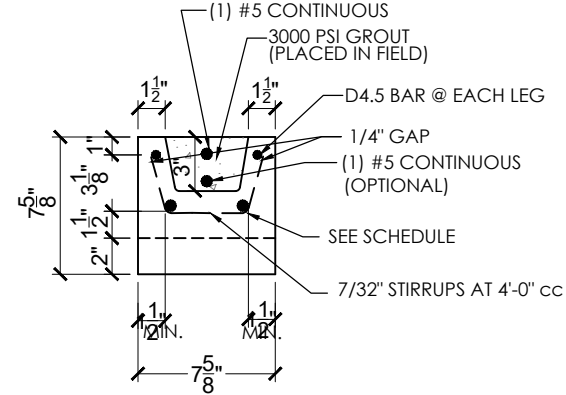
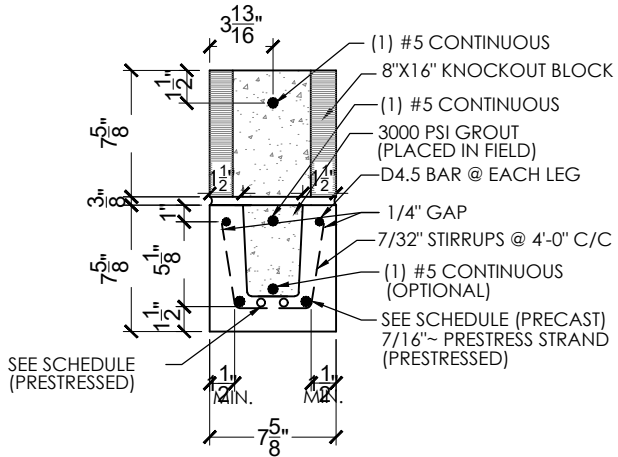


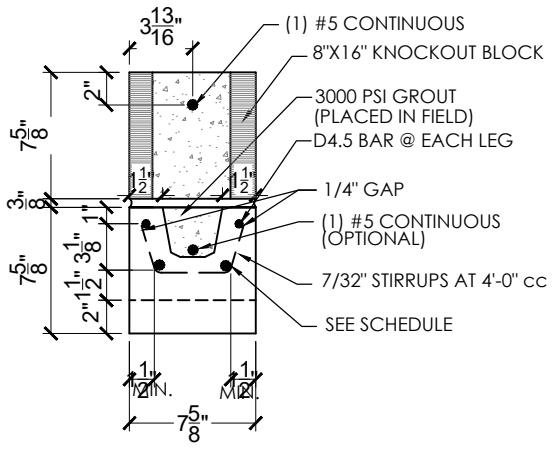
TYPICAL LINTEL 8"x8" SECTION



TYPICAL LINTEL 8"x8" RECESSED SECTION



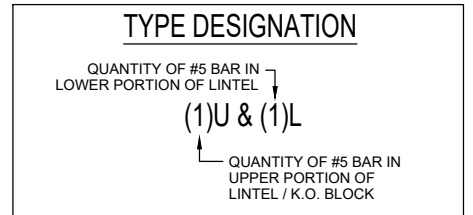
TYPICAL COMPOSITE LINTEL SECTION



TYPICAL COMPOSITE RECESS LINTEL SECTION

**GENERAL NOTES:**

- 1.) CODES
  - 1.1 FLORIDA BUILDING CODE 8th EDITION, 2023 RESIDENTIAL SECTIONS R402.2 & R606.
  - 1.2 FLORIDA BUILDING CODE, 8th EDITION, 2023 BUILDING SECTIONS 1901.2 & 2107.
  - 1.3 BUILDING CODE REQUIREMENTS FOR REINFORCED CONCRETE (ACI 318-19).
  - 1.4 BUILDING CODE REQUIREMENTS FOR MASONRY STRUCTURES (TMS 402-16).
  - 1.5 SPECIFICATIONS REQUIREMENTS FOR MASONRY STRUCTURES (TMS 602-16).
  - 1.6 AMERICAN SOCIETY OF CIVIL ENGINEERS MINIMUM DESIGN LOADS FOR BUILDINGS AND OTHER STRUCTURES (ASCE 7-22).
- 2.) CONCRETE:
  - 2.1 CONCRETE COMPRESSIVE STRENGTH AT 28 DAYS:
    - 2.1.1 PRE-CAST WITH STANDARD REINFORCEMENT - 4,000PSI
    - 2.1.2 PRE-CAST WITH PRESTRESS REINFORCEMENT - 6,000PSI
    - 2.1.3 GROUT PER ASTM C476 f'c=3,000PSI WITH MAXIMUM 3/8" AGGREGATE AND 8" TO 11" SLUMP.
  - 2.2 REINFORCING BARS:
    - 2.2.1 STEEL PLACED IN PRE-CAST LINTEL AT TIME OF FABRICATION ASTM A615 (GRADE 60).
    - 2.2.2 STEEL IN LINTEL AND KNOCKOUT BLOCK (PLACED IN FIELD) ASTM A615 (GRADE 40).
  - 2.3 PRESTRESS STANDS ASTM A416 7-WIRE, STRESS RELIEVED 270KSI.
  - 2.4 DETAIL REINFORCEMENT IN ACCORDANCE WITH ACI 315.
  - 2.5 CONCRETING OPERATIONS SHALL COMPLY WITH ACI STANDARDS.
- 3) MASONRY:
  - 3.1 CONCRETE MASONRY UNITS (CMU) SHALL CONFORM TO ASTM C-90, NORMAL WEIGHT WITH MINIMUM NET AREA COMPRESSIVE STRENGTH 2,000PSI.
  - 3.2 MORTAR SHALL CONFORM TO ASTM C-270 TYPE "M" OR "S".
  - 3.3 FULL MORTAR JOINTS ARE REQUIRED.
  - 3.4 MINIMUM AGGREGATE 28-DAY COMPRESSIVE STRENGTH OF CMU AND MORTAR SHALL NOT BE LESS THAN f'm = 2,000 PSI. MASONRY STRENGTH SHALL BE ESTABLISHED BY THE "UNIT STRENGTH METHOD" OR, ALTERNATIVELY BY THE "PRISM TEST METHOD" WHERE UNIT STRENGTH METHOD REQUIREMENTS HAVE NOT BEEN MET.
- 4) STRUCTURAL:
  - 4.1 SAFE LOAD VALUES ARE BASED ON LINTELS HAVING A BEARING OF 8" (WITH A MINIMUM ACCEPTABLE BEARING OF 4" FOR FILLED LINTELS AND 6 1/2" FOR UNFILLED LINTELS IN DIRECTION OF SPAN PER TMS 402-16 SECTION 4.3.4).
  - 4.2 SAFE LOAD VALUES ARE BASED ON RATIONAL DESIGN ANALYSIS PER ACI 318 AND TMS 402.
  - 4.3 DESIGNER MAY EVALUATE CONCENTRATED LOADS FROM THE SAFE LOAD TABLES BY CALCULATING MAXIMUM RESISTING MOMENT AND SHEAR AT d DISTANCE AWAY FROM THE FACE OF THE SUPPORT.
  - 4.4 LINTELS THAT ARE GREATER THAN 14'-0" CLEAR SPAN MUST BE PROVIDED TEMPORARY SUPPORT AND NOT BE REMOVED UNTIL TWO (2) DAYS AFTER GROUT PLACEMENT.
  - 4.5 FOR LINTEL LENGTH AT 6'-6" OR GREATER, VERTICAL CELL FILLED SOLID WITH GROUT AND MINIMUM ONE (1) #5 VERTICAL REBAR IS REQUIRED AT EACH END OF THE LINTEL.
  - 4.6 FOR COMPOSITE LINTEL HEIGHTS NOT SHOWN, USE SAFE LOAD FROM NEXT LOWER HEIGHT SHOWN.



**Samuel A. Greenberg**, State of Florida, Professional Engineer, License No. 34245

This item has been digitally signed and sealed by **Samuel A. Greenberg**, PE the date shown using a Digital Signature (date is in the coded seal).

Printed copies of this document are not considered signed and sealed And the SHA authentication code must be verified on any electronic copies.

<p><b>DE DANSCO ENGINEERING, P.A.</b> 6423 RUBIA CIRCLE APOLLO BEACH - FLORIDA - 33512 PHONE - (813) 917 1524    8AM@DEENGINEERING.COM</p>	<p>GENERAL NOTES &amp; DETAILS 8" LINTEL</p> <p><i>Marion Masonry Materials of Ocala, LLC</i></p> <p> 3855 N.E. 35th Street Ocala, FL 34479 PH. (352) 629-9788</p>
<p>© 2023 THESE DRAWINGS AND DESIGNS ARE THE JOINT PROPERTY OF DANSCO ENGINEERING, P.A. AND THE CLIENT ON THIS PROJECT. ANY REPRODUCTION OR UNAUTHORIZED USE IS PROHIBITED.</p>	<p><input type="checkbox"/> SAMUEL A. GREENBERG, P.E. #34245</p>
<p>SHT. NO. SK1 of 11</p>	